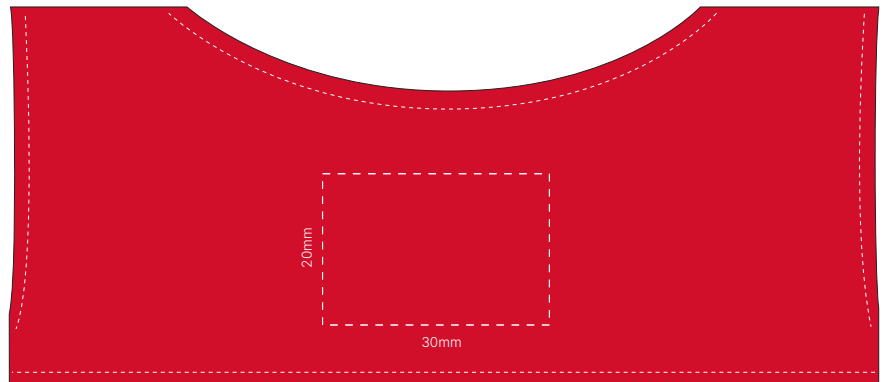
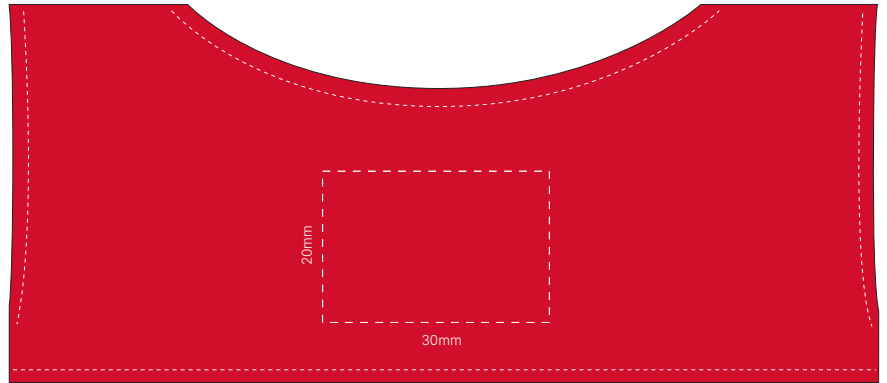




Sample of finished product.
Approx. 30% size



Product Colour/s
(Please specify product colour/s here)

Print colour/s
4 Colour Process

Quantity
(Please specify quantity here)

Print Method

■ Digital Transfer: 30mm W x 20mm H

Colours Available



Additional Notes/Art Instructions:

*Special art instructions that needs to be noted shall be placed here. If none, this note must be removed.

Disclaimer notes:

Colour proofs are to be used as a guide only. Line drawing is for approximate print positional guide only. Please familiarise yourself with the product prior to approving. It is not intended to be an exact scale or detailed representation. Small details or text, including™®, may fill in and not be legible. Dotted lines will not be printed and are for maximum print guide only. The fine lines and details in your logo may not be able to be produced clearly.